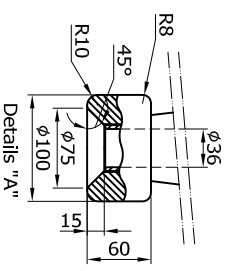
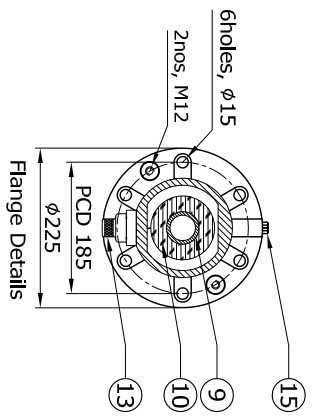
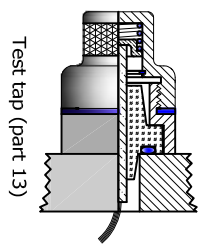
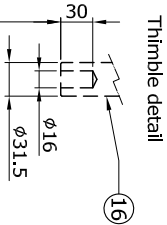
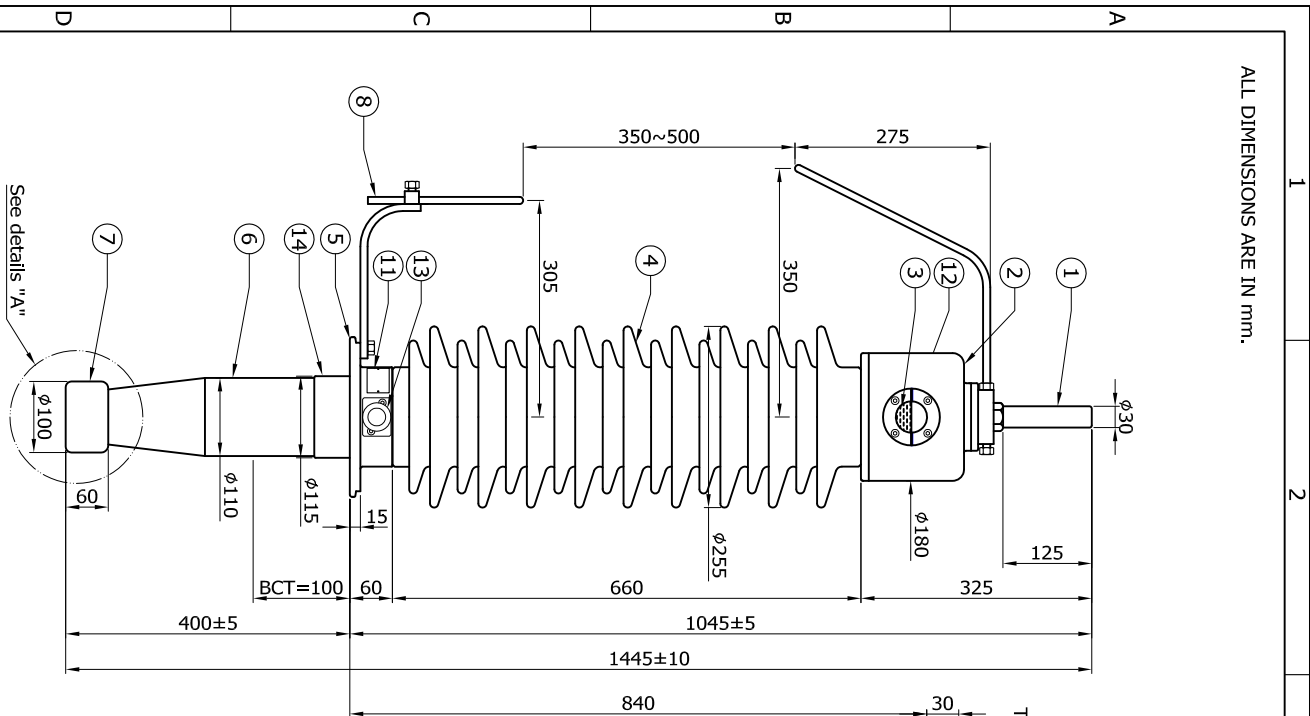


ALL DIMENSIONS ARE IN mm.



PART LIST			
NO	DESCRIPTION	MATERIAL	FINISH
1	HV. Terminal	Copper ETP	Nickel plated
2	Conservator	Aluminum alloy casting	Powder coated
3	Oil sight glass	Polycarbonate	
4	Upper insulator	Porcelain	Brown
5	Mounting flange	Aluminum alloy casting	Powder coated
6	Bottom insulator	Epoxy	Brown
7	Electrode	Aluminum alloy	Powder coated
8	Arcing horn	MS HDG	
9	Center pipe	Aluminum alloy	
10	Condenser core	O.I.P.	
11	Rating plate	Aluminum	
12	Oil filling plug	SS	
13	Test tap	Aluminum	Anodized
14	Extension Pipe	Aluminum alloy	Anodized
15	Air release plug	Brass	Nickel plated
16	Thimble	Copper ETP	Nickel plated

TECHNICAL DATA	
1	Type
2	Rated voltage.. L-L
3	Working voltage.. L-E
4	Rated current
5	AC 1 min. test voltage (Wet)
6	AC 1 min. test voltage (Dry)
7	Lightning impulse
8	Total creepage length
9	Max. mounting angle
10	Angle during storage
11	Standard
12	Cantilever withstand
13	Short time current
14	Approx weight
15	Oil quantity

REVISION			
REV.	DESCRIPTION	DATE	APPD
5	Added 2 nos M12 earthing holes.	18-01-2014	DZ

DRN	Esha	YASH GUJARAT, INDIA.	72.5KV 800A (100 BCT) Condenser Bushing
CHK	Tejas		
APPD	DZ		
DATE	18-01-2014		
CUST : GETCO		CODE : YCDBS0000070	
SCALE :- 1:1		DRG NO : CBL0730800A	REV.5

This document is the exclusive property of YASH HIGHVOLTAGE INSULATORS PVT LTD and shall not be used, copied or communicated to third parties without its prior authorization. Rights of this document are reserved. Transfer of the document in any form is strictly forbidden to parties other than our customer.

IF IN DOUBT - PLEASE ASK.