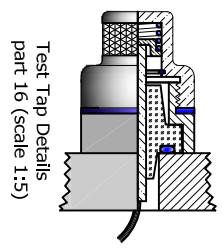
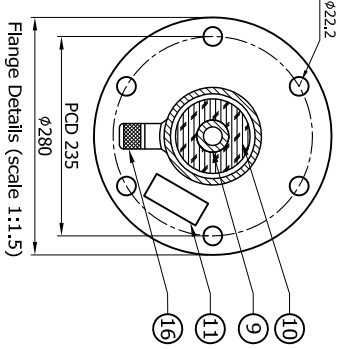
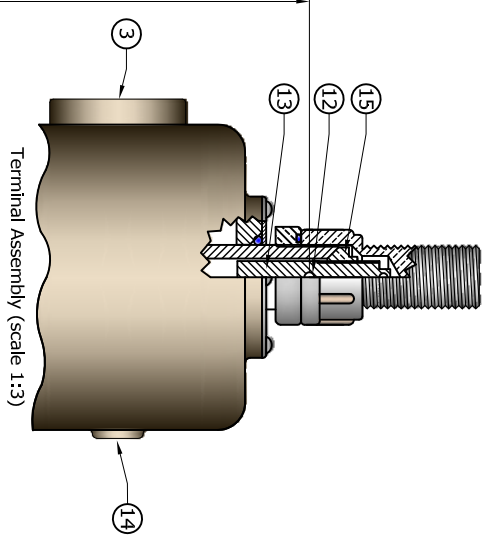


Rev1: Added AC test voltage in technical data.

±0.1	±0.2	±0.3	±0.5	±0.8	±1.2	±2
0.5-6	6-30	30-120	120-400	400-1000	1000-2000	2000-4000

TOLERANCE UNLESS OTHERWISE SPECIFIED



PARTS LIST			
NO	DESCRIPTION	MATERIAL	REMARKS
1	HV. Terminal	Copper ETP	Nickel plated
2	Conservator	Alum. alloy casting	Powder coated
3	Oil sight glass	Polycarbonate	Plain
4	Upper insulator	Porcelain	
5	Mounting flange	Aluminium alloy	Powder coated
6	Bottom insulator	Epoxy	
7	Bottom terminal	Copper ETP	Nickel plated
9	Center pipe	Copper ETP	Nickel plated
10	Condenser core		O.I.P.
11	Rating plate	Aluminium	
12	Lock pin	SS	
13	Thimble	Copper ETP	Nickel plated
14	Oil filling plug	SS	
15	Thimble lock nut	Brass	Nickel plated
16	Test tap	Aluminium	Anodizing
17	Extension Pipe	Aluminium alloy	Anodizing

TECHNICAL DATA

1	Type	Draw lead type (OIP condenser)
2	Rated voltage.. L-L	69 KV
3	Working voltage.. L-E	44 KV
4	Rated current	400/1200 A
5	AC 1 min. test voltage	160 KV
6	Lightning Impulse	350 KVp
7	Total creepage length	1755mm
8	Max. mounting angle	30° Max from vertical
9	Angle during storage	10°
10	Standard	ANSI/IEEE C57.
11	Can'tlever withstand	890 N
12	Short time current	25 KA for 3 Sec.
13	Approx weight	58 kg.
14	Oil quantity	5 Ltrs

DRN	Darshan	YASH HIGH VOLTAGE GUJARAT, INDIA.
CHK	Esha	
APPD	DZ	
DATE	21-06-2014	

CUST :	69KV 400/1200A (550BCT)
CODE :	YCDBS0000181
SCALE :-	1:1
DRG NO. :	CBL0691200D
REV. :	1