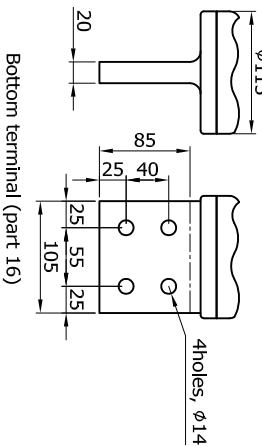
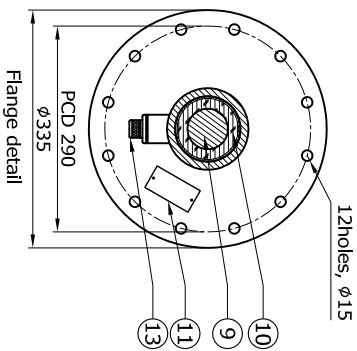
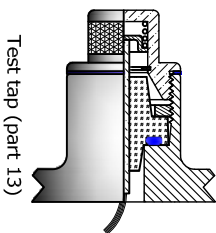
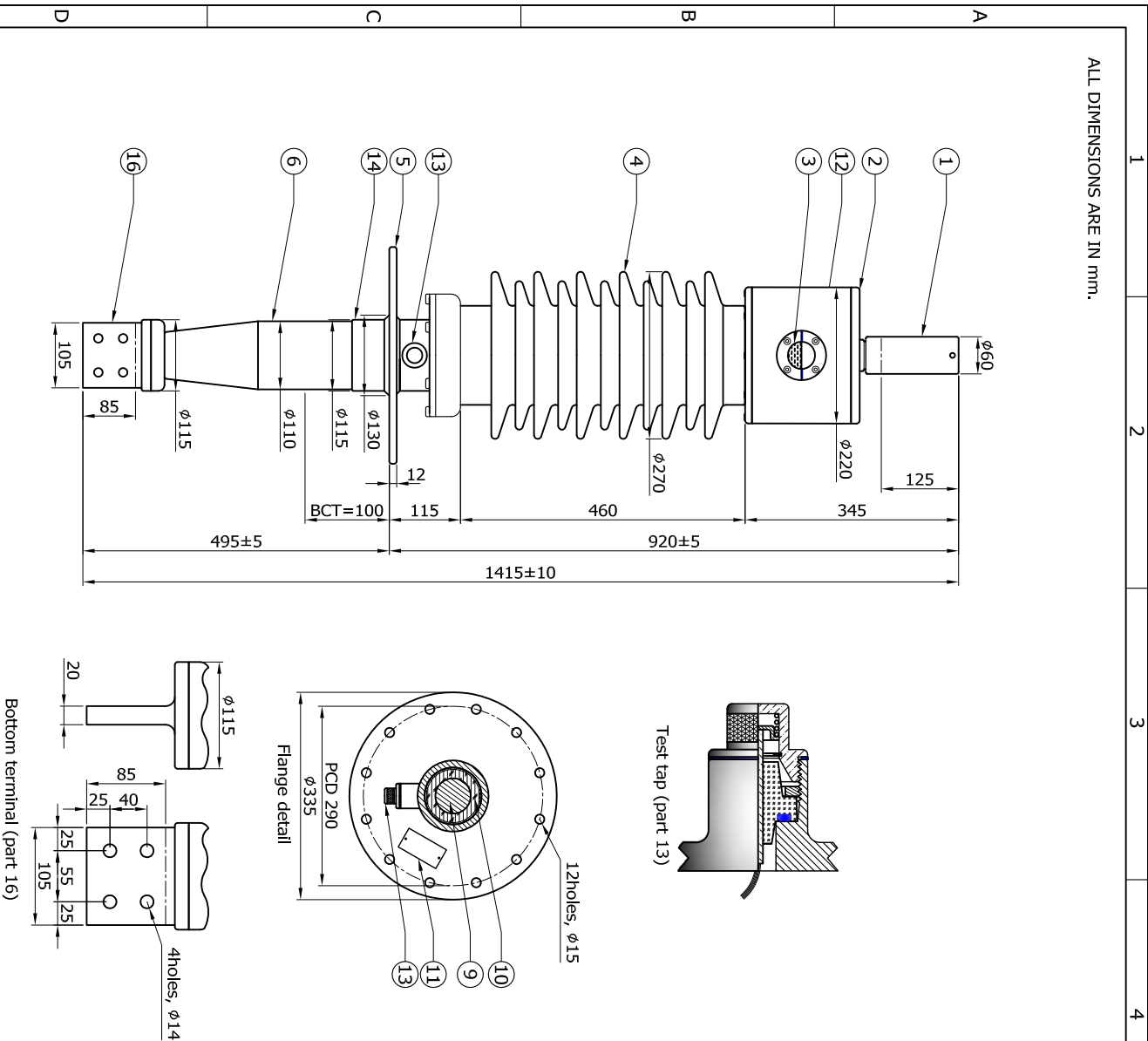


ALL DIMENSIONS ARE IN mm.



PART LIST			
NO	DESCRIPTION	MATERIAL	FINISH
1	HV. Terminal	Copper ETP	Nickel plated
2	Conservator	Aluminum alloy	Powder coated
3	Oil sight glass	Polycarbonate	
4	Upper insulator	Porcelain	Brown
5	Mounting flange	Aluminum alloy	Powder coated
6	Bottom insulator	Epoxy	Brown
9	Center conductor	Copper ETP	Nickel plated
10	Condenser core	O.I.P.	
11	Rating plate	Aluminum	
12	Oil filling plug	SS	
13	Test tap	Aluminum	Anodized
14	Extension Pipe	Aluminum alloy	Anodized
16	Bottom terminal	Copper ETP	Nickel plated

TECHNICAL DATA	
1	Type
2	Rated voltage.. L-L
3	Working voltage.. L-E
4	Rated current
5	AC 1 min. test voltage
6	Lightning impulse
7	Total creepage length
8	Max. mounting angle
9	Angle during storage
10	Standard
11	Cartilever withstand
12	Short time current
13	Approx weight
14	Oil quantity

DRN	Tejas		GUJARAT, INDIA.
CHK	Esha		
APPD	DZ	HIGHVOLTAGE	
DATE	20-11-2013	CUST : ALSTOM	CODE : YCDBS0000093
		52kV 4000A (100 BCT) Condenser Bushing	
SCALE : 1:1		DRG NO : CBT0524000A	REV.1

REF: Siemens 196 01 212

This document is the exclusive property of YASH HIGHVOLTAGE INSULATORS PVT LTD and shall not be used, copied or communicated to third parties without its prior authorization. Rights of this document are reserved. Transfer of the document in any form is strictly forbidden to parties other than our customer.

IF IN DOUBT - PLEASE ASK.