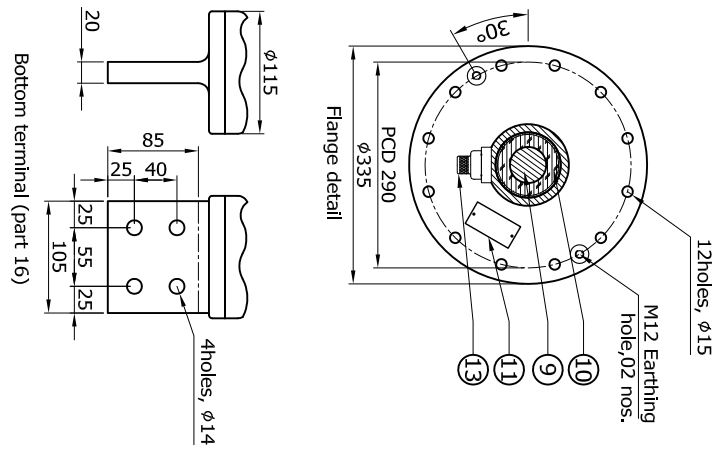
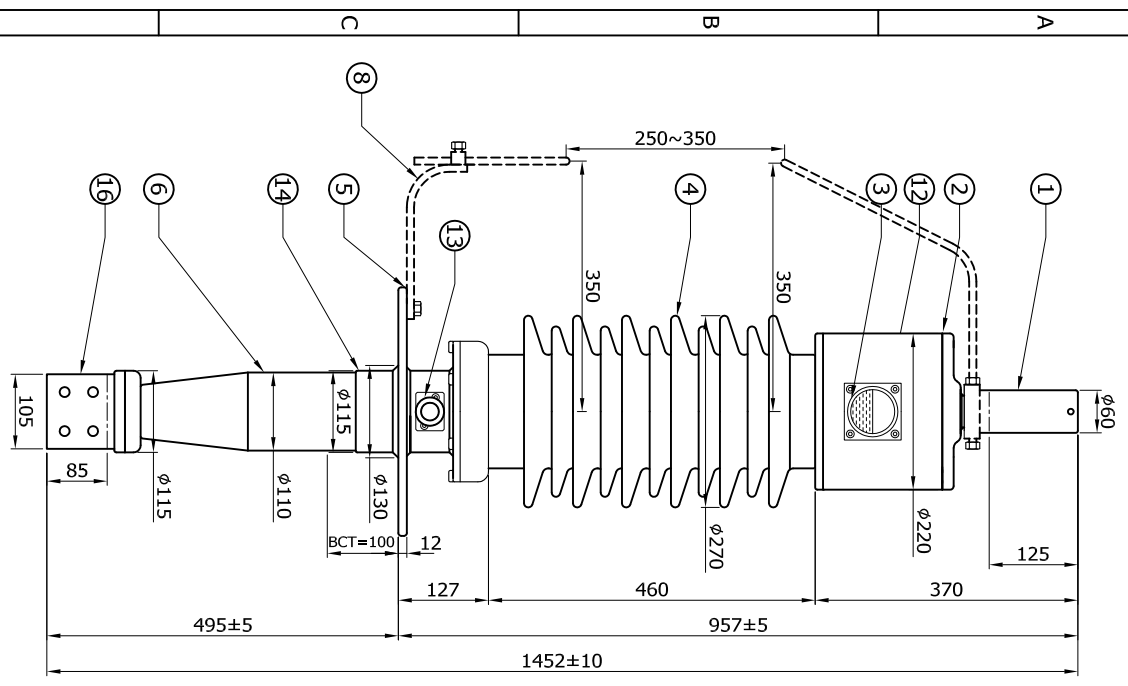


PART LIST			
NO	DESCRIPTION	MATERIAL	FINISH
1	HV. Terminal	Copper ETP	Nickel plated
2	Conservator	Aluminium alloy casting	Powder coated
3	Oil sight glass	Polycarbonate	
4	Upper insulator	Porcelain	Brown
5	Mounting flange	Aluminium alloy	Powder coated
6	Bottom insulator	Epoxy	Brown
8	Arcing Horn	MS HDG	
9	Center conductor	Copper ETP	Nickel plated
10	Condenser core	O.I.P.	
11	Rating plate	Aluminium	
12	Oil filling plug	SS	
13	Test tap	Aluminium	Anodized
14	Extension Pipe	Aluminium alloy	Anodized
16	Bottom terminal	Copper ETP	Nickel plated

**TECHNICAL DATA**

1	Type	Stem type (OIP condenser)
2	Rated voltage.. L-L	52 kV
3	Working voltage.. L-E	30 kV
4	Rated current	3150 A
5	Rated Frequency	50 Hz
6	AC 1 min. test voltage (Dry)	105 kV
6	AC 1 min. test voltage (Wet)	95 kV
7	Lightning impulse	250 kVp
8	Total creepage length	1300 mm
9	Max. mounting angle	30° Max from vertical
10	Angle during storage	10°
11	Standard	IS 2099 / IEC 60137
12	Cartilever withstand	3150 N
13	Short time current	40 KA for 3 Sec.
14	Approx weight	89 kg.
15	Oil quantity	5 Ltrs



Rev1: Changed title block, added insulator note, mounting flange height modify, added earthing holes.  
 Note: Tolerance for Upper and Lower Insulators shall be as per IEC 62155.

±0.1	±0.2	±0.3	±0.5	±0.8	±1.2	±2
0.5-6	6-30	30-120	120-400	400-1000	1000-2000	2000-4000

TOLERANCE UNLESS OTHERWISE SPECIFIED

DRN	Darshan	<b>YASH</b> HIGH VOLTAGE <b>GUJARAT, INDIA.</b>	CUST : CGL CODE : YCDBS0000091
CHK	-		
APPD	DZ	52kV 3150A (100 BCT) Condenser Bushing	
DATE	24-12-2014	SCALE :- 1:1	REV.2
DRG NO : CBT0523150A			