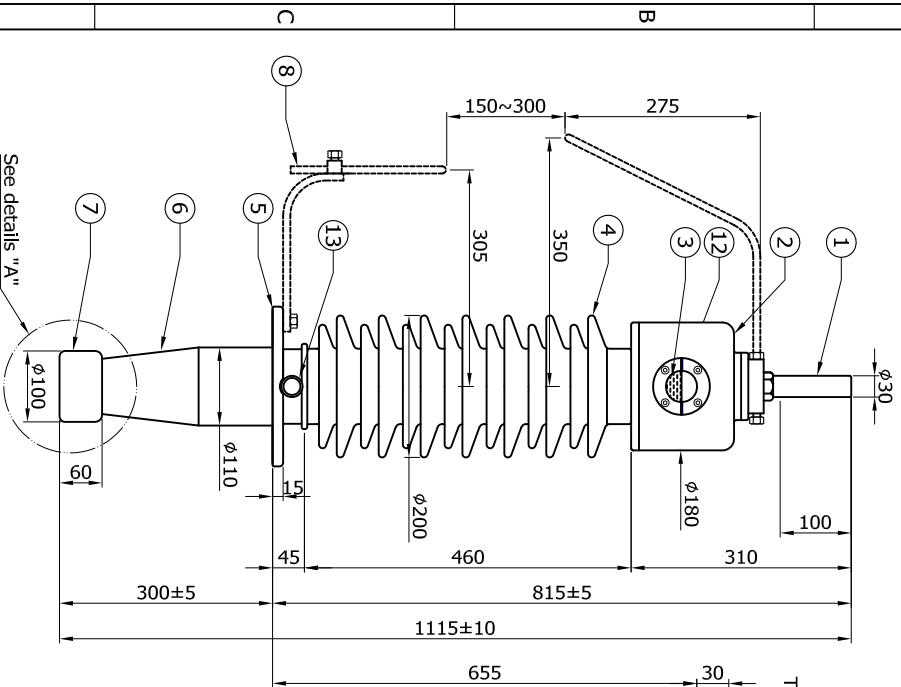
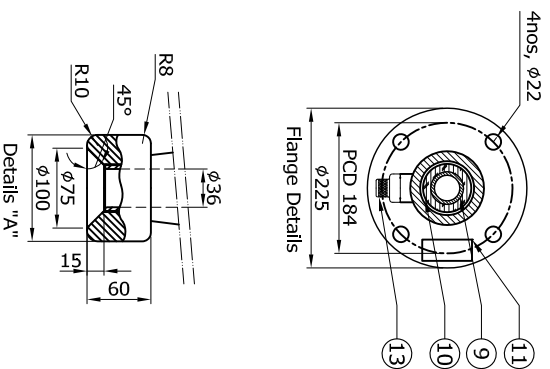


PART LIST			
NO	DESCRIPTION	MATERIAL	FINISH
1	HV. Terminal	Copper ETP	Nickel plated
2	Conservator	Aluminium alloy casting	Powder coated
3	Oil sight glass	Polycarbonate	
4	Upper insulator	Porcelain	Brown
5	Mounting flange	Aluminium alloy casting	Powder coated
6	Bottom insulator	Epoxy	Brown
7	Electrode	Aluminium alloy	Powder coated
8	Arcing horn	MS HDG	
9	Center pipe	Aluminium alloy	
10	Condenser core	O.I.P.	
11	Rating plate	Aluminium	
12	Oil filling plug	SS	
13	Test tap	Aluminium	Anodized
16	Thimble	Copper ETP	Nickel plated

TECHNICAL DATA

a	Type	Draw lead type (OIP condenser)
b	Rated voltage.. L-L	36 kV
c	Working voltage.. L-E	21 kV
d	Rated current	800 Amps
e	AC 1 min. test voltage	95 kV
f	Lightning impulse	200 kVp
g	Total creepage length	1300 mm
h	Max. mounting angle	30° Max from vertical
i	Angle during storage	10° From horizontal
j	Standard	IEC 60137
k	Cantilever withstand	1000 Newton
l	Short time current	25 kA for 3 Sec.
m	Approx weight	38 kg.
n	Oil quantity	4 Ltrs



Note: Tolerance for Upper and Lower Insulators shall be as per IEC 62155.

±0.1	±0.2	±0.3	±0.5	±0.8	±1.2	±2
0.5-6	6-30	30-120	120-400	400-1000	1000-2000	2000-4000

TOLERANCE UNLESS OTHERWISE SPECIFIED

All dimension are in mm.

Rev2 : Changed Title block & added Insulator Tolerance note.  
Rev : 1 H.V terminal od 30 was 26 mm.

DRN	Darshan		<b>GUJARAT, INDIA.</b>
CHK	-		
APPD	DZ	<b>HIGHVOLTAGE</b>	<b>36kV 800A (0 BCT)</b> Condenser Bushing
DATE	13-07-2014		
CUST : H-J International		CODE : YCDBS00000179	
SCALE : 1:1		DRG NO : CBL0360800N REV.2	