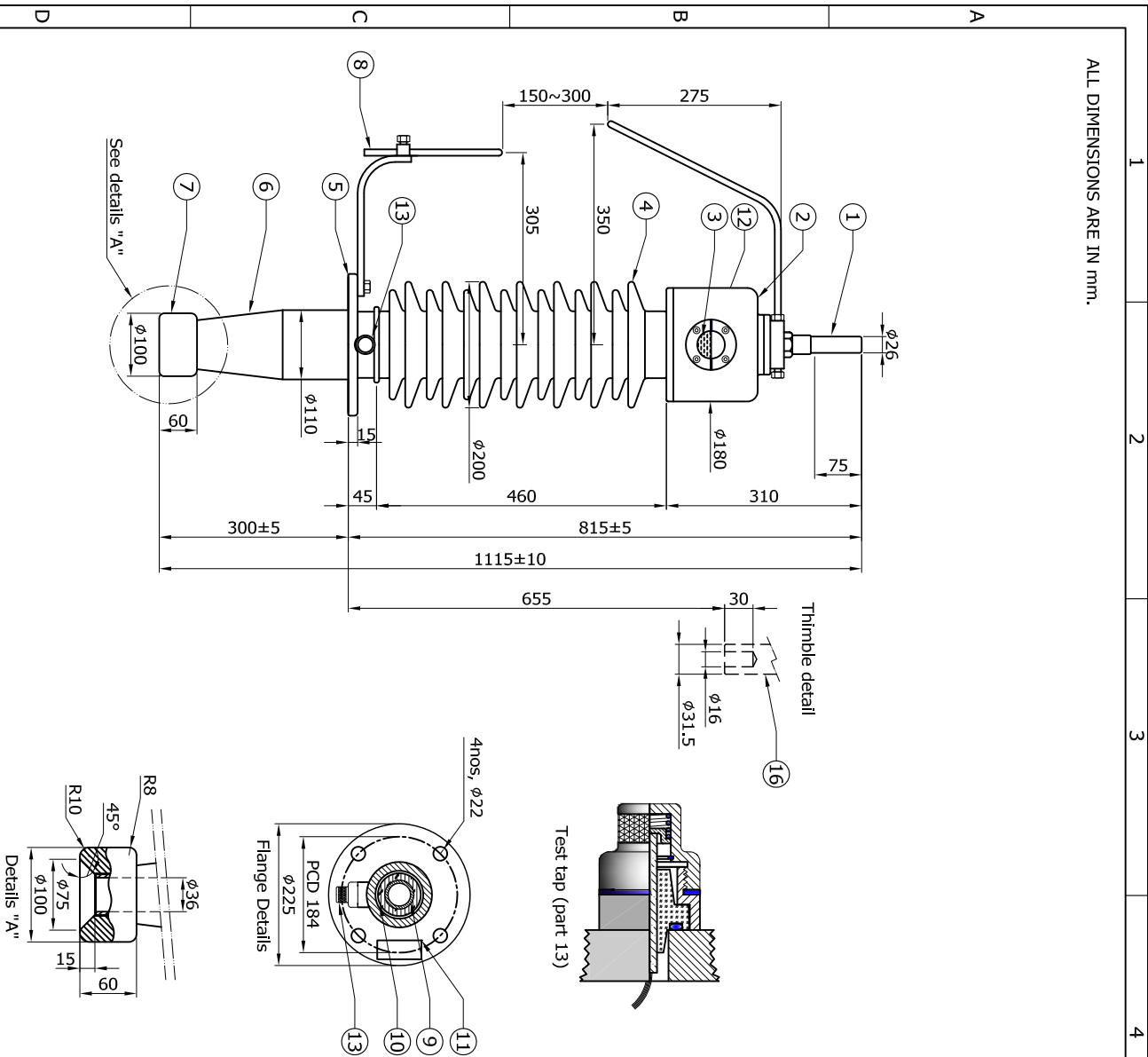


ALL DIMENSIONS ARE IN mm.



PART LIST			
NO	DESCRIPTION	MATERIAL	FINISH
1	HV. Terminal	Copper ETP	Nickel plated
2	Conservator	Aluminum alloy casting	Powder coated
3	Oil sight glass	Polycarbonate	
4	Upper insulator	Porcelain	Brown
5	Mounting flange	Aluminum alloy casting	Powder coated
6	Bottom insulator	Epoxy	Brown
7	Electrode	Aluminum alloy	Powder coated
8	Arching horn	MS HDG	
9	Center pipe	Aluminum alloy	
10	Condenser core	O.I.P.	
11	Rating plate	Aluminum	
12	Oil filling plug	SS	
13	Test tap	Aluminum	Anodized
16	Thimble	Copper ETP	Nickel plated

TECHNICAL DATA		
a	Type	Draw lead type (OIP condenser)
b	Rated voltage.. L-L	36 kV
c	Working voltage.. L-E	21 kV
d	Rated current	400 Amps
e	AC 1 min. test voltage	95 kV
f	Lightning impulse	200 kVp
g	Total creepage length	1300 mm
h	Max. mounting angle	30° Max from vertical
i	Angle during storage	10° From horizontal
j	Standard	IEC 60137
k	Cantilever withstand	1000 Newton
l	Short time current	25 kA for 3 Sec.
m	Approx weight	38 kg.
n	Oil quantity	4 Ltrs

DRN	Tejas	YASH HIGH VOLTAGE GUJARAT, INDIA.
CHK	Esha	
APPD	DZ	
DATE	13-12-2013	
CUST : Alahia Transformer		CODE : YCDBS0000163
DATE		36kV 400A (0 BCT) Condenser Bushing
SCALE :- 1:1		DRG NO : CBL0360400N
		REV.0

This document is the exclusive property of YASH HIGHVOLTAGE INSULATORS PVT LTD and shall not be used, copied or communicated to third parties without its prior authorization. Rights of this document are reserved. Transfer of the document in any form is strictly forbidden to parties other than our customer.

IF IN DOUBT - PLEASE ASK.