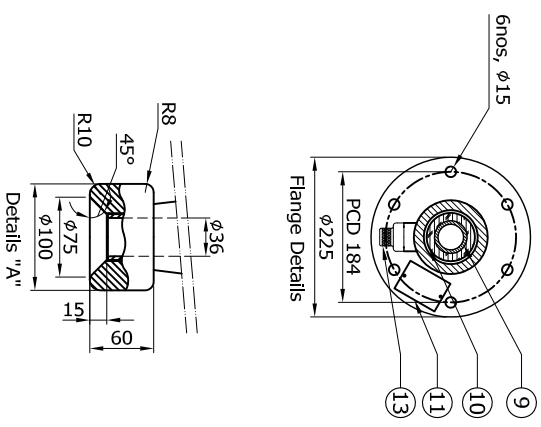
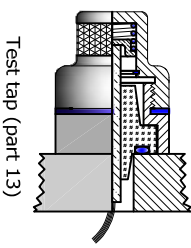
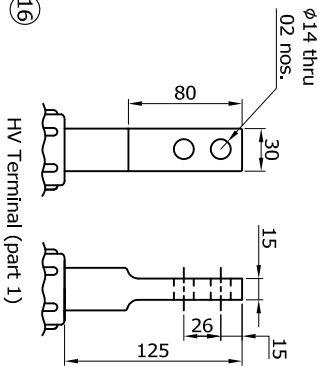
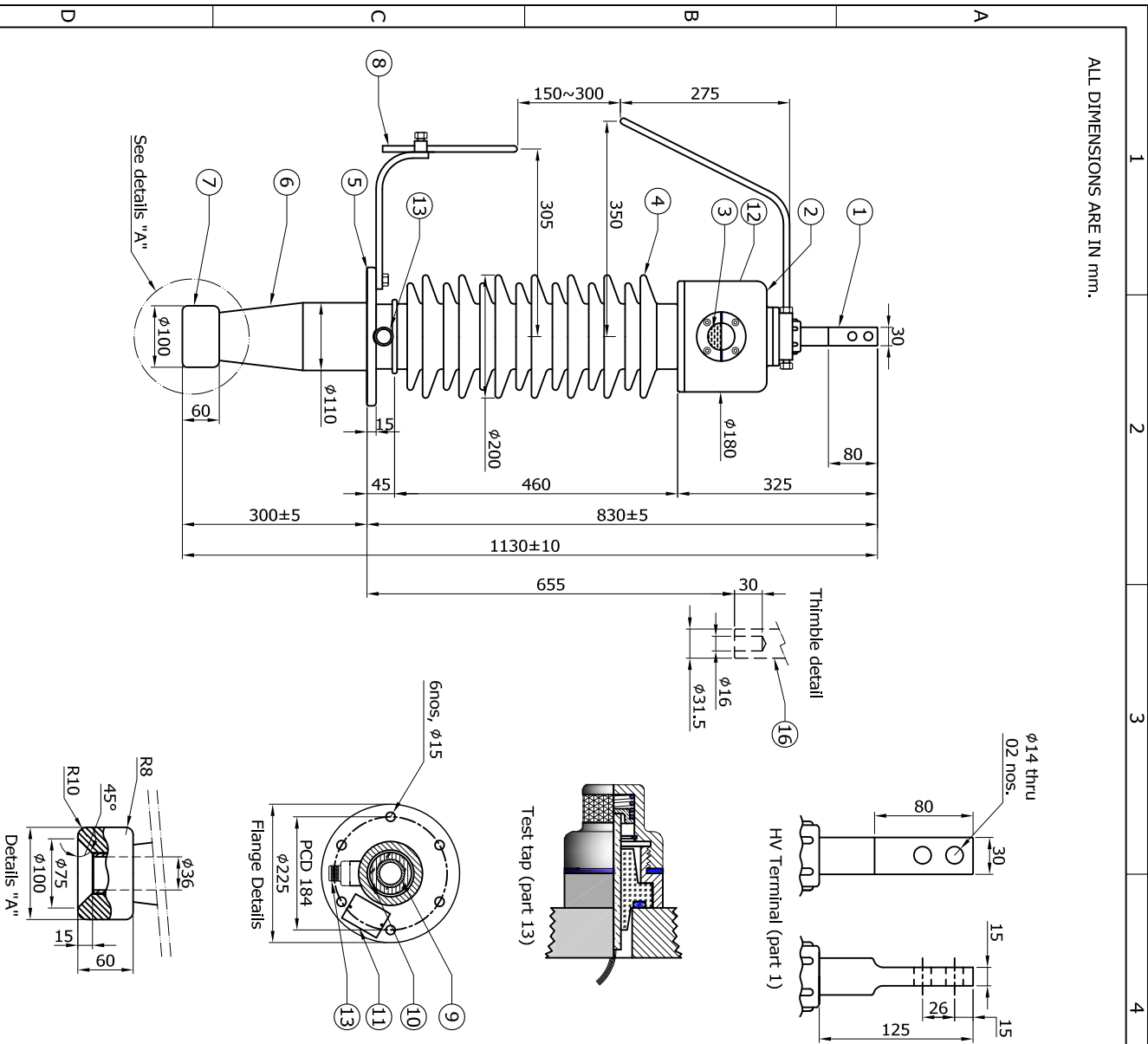


ALL DIMENSIONS ARE IN mm.



NO	DESCRIPTION	MATERIAL	FINISH
1	HV. Terminal	Copper ETP	Nickel plated
2	Conservator	Aluminum alloy casting	Powder coated
3	Oil sight glass	Polycarbonate	
4	Upper insulator	Porcelain	Brown
5	Mounting flange	Aluminum alloy casting	Powder coated
6	Bottom insulator	Epoxy	Brown
7	Electrode	Aluminum alloy	Powder coated
8	Arcing horn	MS HDG	
9	Center pipe	Aluminum alloy	
10	Condenser core	O.I.P.	
11	Rating plate	Aluminum	
12	Oil filling plug	SS	
13	Test tap	Aluminum	Anodized
16	Thimble	Copper ETP	Nickel plated

TECHNICAL DATA	
a	Type
b	Rated voltage.. L-L
c	Working voltage.. L-E
d	Rated current
e	AC 1 min. test voltage
f	Lightning impulse
g	Total creepage length
h	Max. mounting angle
i	Angle during storage
j	Standard
k	Carrier/withstand
l	Short time current
m	Approx weight
n	Oil quantity

DRN	Darshan	
CHK	Esha	
APPD	DZ	<b>GUJARAT, INDIA.</b> CUST : Alahia Transformer CODE : YCDBS0000189
DATE	25-05-2014	
SCALE :-	1:1	36kV 400A (0 BCT) Condenser Bushing

Rev1. Mounting flange no.of holes 4\*φ22 revised to 6\*φ15.

This document is the exclusive property of YASH HIGHVOLTAGE INSULATORS PVT LTD and shall not be used, copied or communicated to third parties without its prior authorization. Rights of this document are reserved. Transfer of the document in any form is strictly forbidden to parties other than our customer.

IF IN DOUBT - PLEASE ASK.