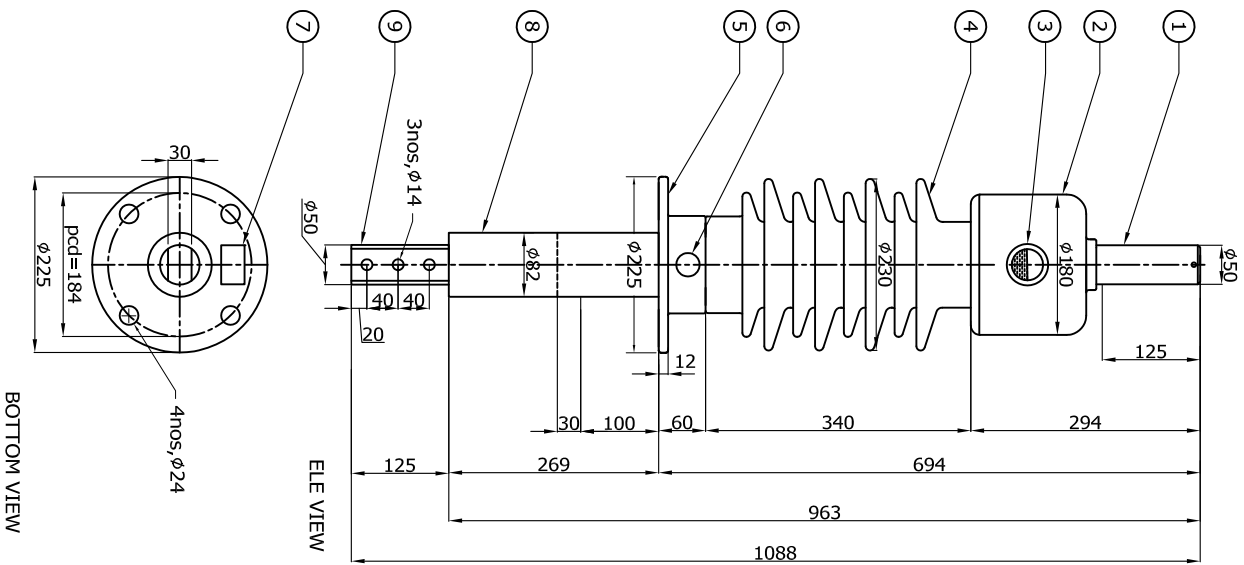


ALL DIMENSIONS ARE IN mm.



R1: Upper insulator shade od $\phi 230$ was $\phi 220$

PARTS LIST	
ITEM	DESCRIPTION MATERIAL
1	Top Terminal Silverplated Copper
2	Conservator Al alloy casting
3	Oil Level Indicator Polycarbonate
4	Upper Insulator Porcelain (Brown)
5	Mounting Flange Al. alloy Casting
6	Test Tap Brass
7	Name Plate SS
8	Condenser core Fiber Glass Epoxy
9	Bottom Terminal Copper Silverplated

TECHNICAL PARTICULARS	
1	Rated voltage 36 kV
2	Rated current 2500 Amps
3	Lightning impulse 170 kVp
4	Phase - earth voltage 21 kV
5	Rated frequency 50 Hz
6	AC test voltage 70 kV (Dry & wet)
7	Total creepage length 900 mm
8	Mounting angle up to 90 deg
10	Standard IEC 60137 -2008
11	Canllever withstand 2000 Newton
12	Short time current 62.5 kA, 2 Sec.

NOTES :

1. All Dimensions are in mms.
2. Make : YASH HIGHVOLTAGE INSULATORS PVT.LTD.
3. Approx. weight : 50 kg
4. Approx Oil quantity : 5 litrs

DATE	SIGN	YASH HIGHVOLTAGE INSULATORS PVT. LTD.	
18-9-11	Tejas	CLIENT : EXPORT	36 kV, 2500 AMP CONDENSER BUSHING
18-9-11		YCDBS0000055	
18-9-11	DR	DRG. NO. : YB036025100	REV. 1

SCALE :- 1:1