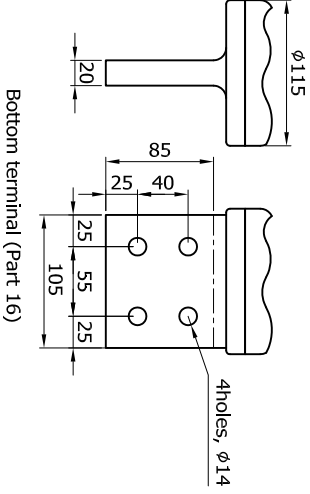
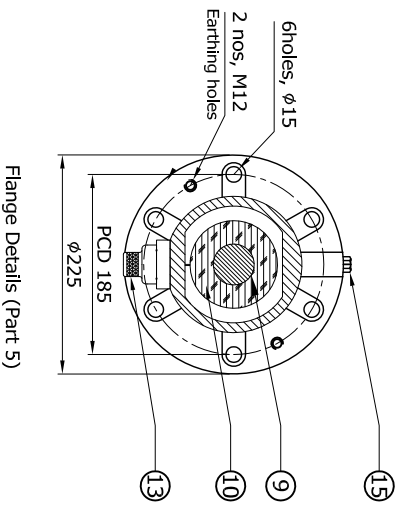
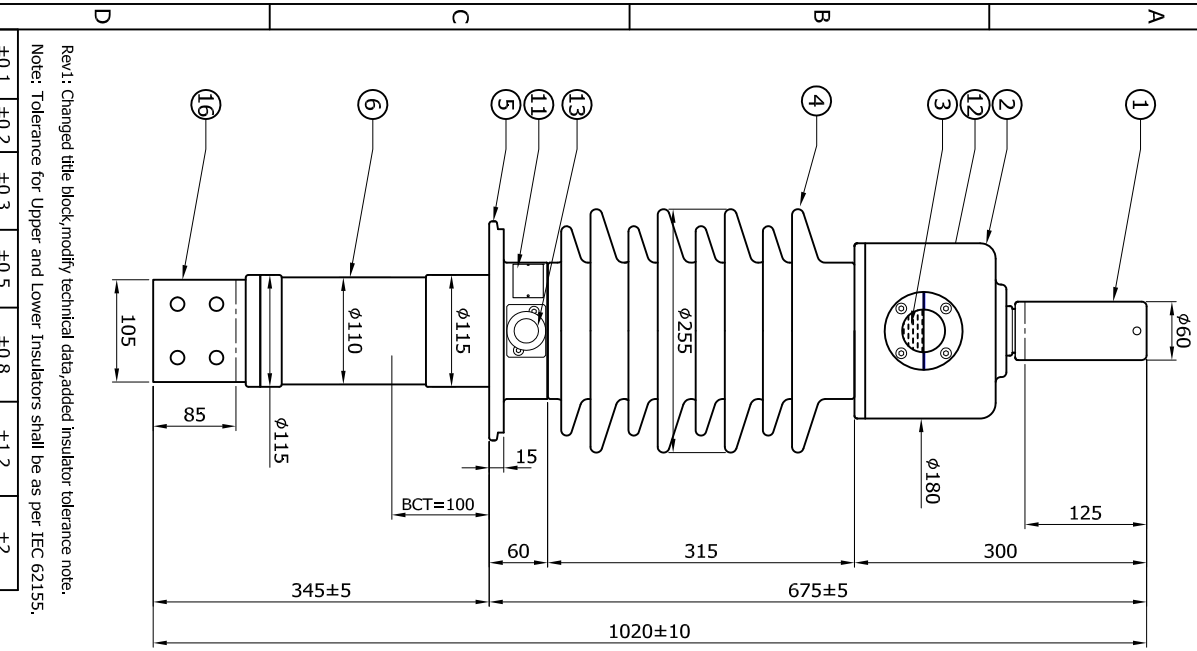


PART LIST			
NO	DESCRIPTION	MATERIAL	FINISH
1	HV. Terminal	Copper ETP	Nickel plated
2	Conservator	Aluminum alloy casting	Powder coated
3	Oil sight glass	Polycarbonate	
4	Upper insulator	Porcelain	Brown
5	Mounting flange	Aluminum alloy casting	Powder coated
6	Bottom insulator	Epoxy	Brown
9	Center conductor	Copper ETP	Nickel plated
10	Condenser core	O.I.P.	
11	Rating plate	Aluminum	
12	Oil filling plug	SS	
13	Test tap	Aluminum	Anodized
15	Air release plug	Brass	Nickel plated
16	Bottom terminal	Copper ETP	Nickel plated



Rev1: Changed title block, modify technical data, added insulator tolerance note.
 Note: Tolerance for Upper and Lower Insulators shall be as per IEC 62155.

±0.1	±0.2	±0.3	±0.5	±0.8	±1.2	±2
0.5-6	6-30	30-120	120-400	400-1000	1000-2000	2000-4000

TOLERANCE UNLESS OTHERWISE SPECIFIED

TECHNICAL DATA

a	Type	Stem type (OIP condenser)
b	Rated voltage.. L-L	36 KV
c	Working voltage.. L-E	21 KV
d	Rated current	2000 Amps
e	AC 1 min. test voltage (Dry)	77 KV
f	AC 1 min. test voltage (Wet)	70 KV
g	Lightning impulse	170 kVp
h	Min. Creepage length	900 mm
i	Max. mounting angle	30° Max from vertical
j	Angle during storage	10° from horizontal
k	Standard	IEC 60137-2008
l	Gantlever withstand	2000 N
m	Short time current	50 kA for 1 Sec.
n	Approx weight	40 kg.
o	Oil quantity	2.7 Ltrs

DRN Darshan
 CHK -
 APPD DZ
 DATE 24-12-2014
 SCALE: 1:1

YASH
 HIGH VOLTAGE
 GUJARAT, INDIA.

CUST: CGL
 CODE: YCDBS0000188

36kV 2000A (100 BCT)
 Condenser Bushing

DRG NO: CBT036200SA
 REV.1