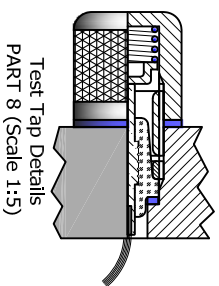
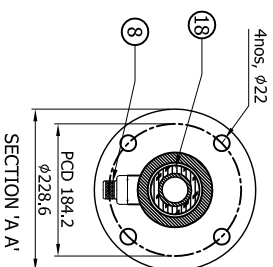
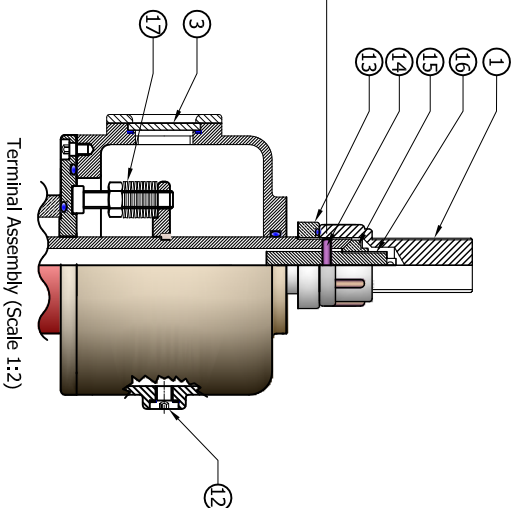
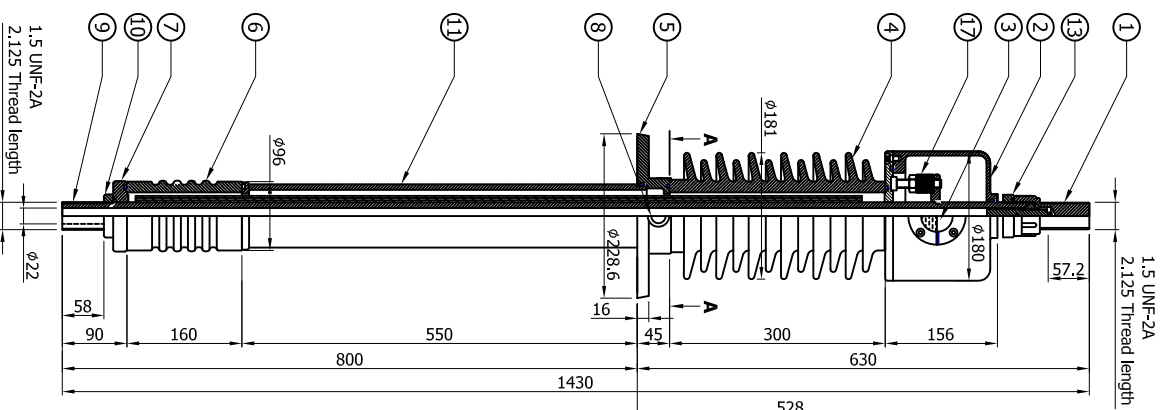


ALL DIMENSION ARE IN mm.



Revision Table	
R:0	Redraw from YB03451200101
R:1	New conservator & Removed oil bowl
R:2	New Test Tap
Short time current for 1200 A added	

PARTS LIST			
ITEM	DESCRIPTION	MATERIAL	REMARKS
1	HV. Terminal	Copper forged	Silver plated
2	Conservator	Alu. alloy casting	Powder coating
3	Oil sight glass	Polycarbonate	Plain
4	Upper insulator	Porcelain	
5	Mounting flange	Alu. alloy casting	Powder coating
6	Bottom insulator	Porcelain	
7	Bottom cap	Brass	Nickel plated
8	Test tap	Brass	Nickel plated
9	Bottom terminal	Copper	Nickel plated
10	Bottom nut	Brass	Nickel plated
11	Sleeve	Alu. alloy	Anodizing
12	Oil filling plug	Brass	Nickel plated
13	Top nut	Brass	Nickel plated
14	Lock pin	SS	
15	Thimble lock nut	Brass	Silver plated
16	Thimble	Copper	Nickel plated
17	Disc spring & Stud	EN-47 / MS	
18	Condenser core	O.I.P.	

TECHNICAL PARTICULARS..... HV BUSHING	
1	Model YHC-200/1200
2	Standard IEC 60137 /ANSI.C57
3	Rated voltage.. L-L 34.5 kV
4	Rated current 1200 Amps
5	Basic Insulation Level 200 kVp
6	AC 1 MIN. Test voltage 77 kV
7	Total creepage length 900 mm
8	Short time current 10 kA, 3 Sec. when used for 400 A 40 kA, 3 Sec. when used for 1200 A
9	Cantilever withstand 100 Kg

GENERAL	
1	Type : Condenser Bushing (OIP)
2	Mounting max 30 deg. to Vertical
3	Quantity/ oil 4 Lt.
4	Total weight 32 kg

DRN	TEJAS	
CHK	ESHA	
APPD	DR	
DATE	29-12-2012	
CUST : Venture Group		CODE : YCDBS0000062
DRG NO : CBL03401200101		REV.2



34.5 kV, 400 /1200 A. Bushing