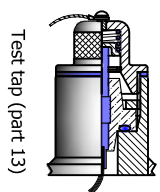
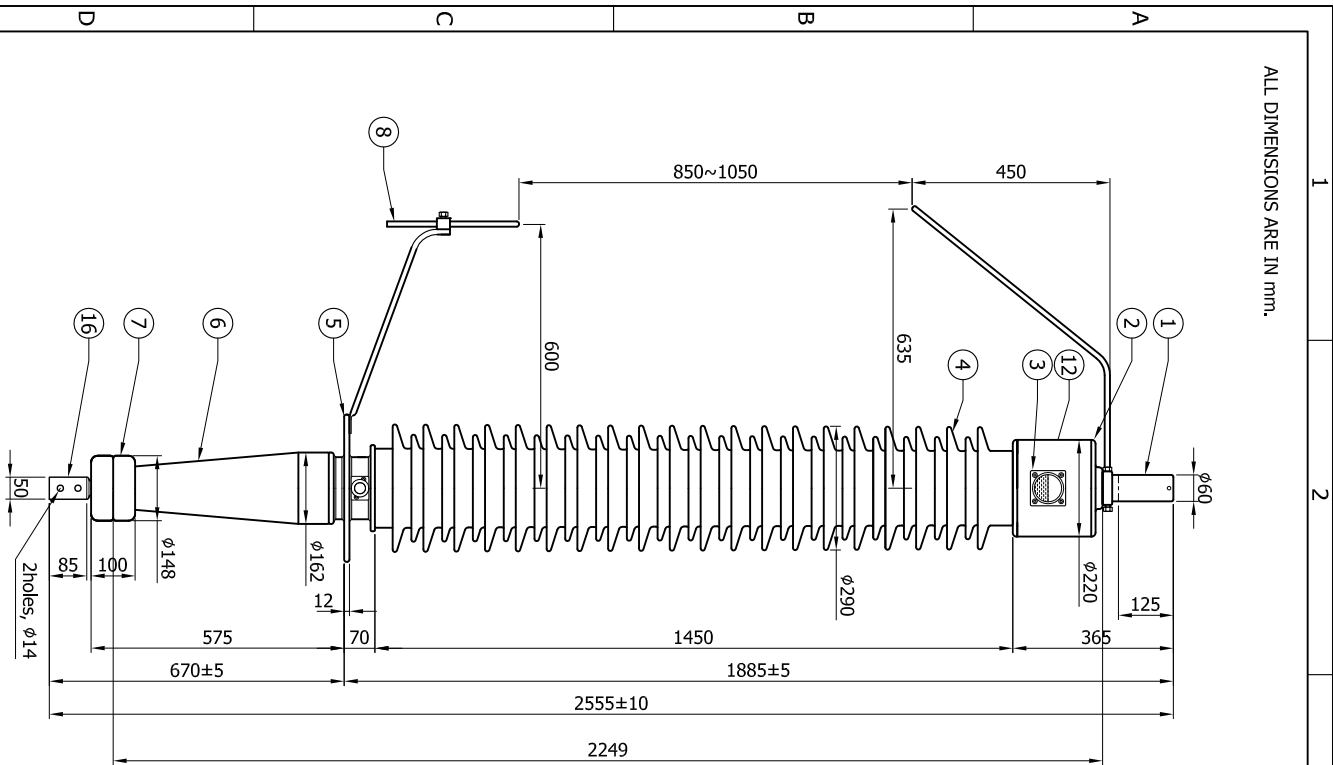
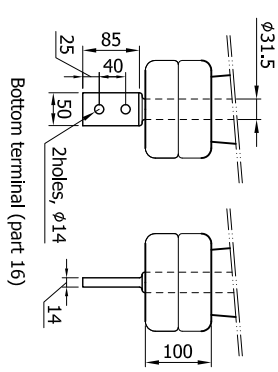
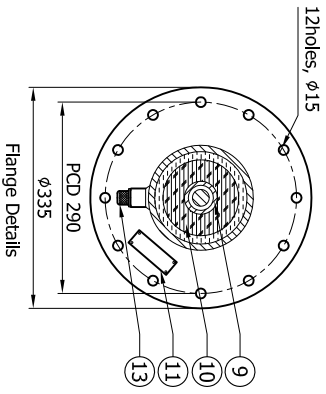


ALL DIMENSIONS ARE IN mm.



Test tap (part 13)



PART LIST			
NO	DESCRIPTION	MATERIAL	FINISH
1	HV. Terminal	Copper ETP	Nickel plated
2	Conservator	Aluminum alloy	Powder coated
3	Oil sight glass	Polycarbonate	
4	Upper insulator	Porcelain	Brown
5	Mounting flange	Aluminum alloy	Powder coated
6	Bottom insulator	Epoxy	Brown
7	Electrode	Aluminum alloy	Epoxy paint
8	Arching horn	MS HDG	
9	Center pipe	Aluminum alloy	
10	Condenser core	O.I.P.	
11	Rating plate	Aluminum	
12	Oil filling plug	SS	
13	Test tap	Aluminum	Anodized
16	Bottom terminal	Copper ETP	Nickel plated

TECHNICAL DATA	
a	Type
b	Rated voltage.. L-L
c	Working voltage.. L-E
d	Rated current
e	AC 1 min. test voltage
f	Lighting impulse
g	Total creepage length
h	Max. mounting angle
i	Angle during storage
j	Standard
k	Cantilever withstand
l	Short time current
m	Approx weight
n	Oil quantity

DRN	Tejas
CHK	Esha
APPD	DZ
DATE	20-10-2013
<b>GUJARAT, INDIA.</b>	
CUST : PETE	CODE: YCDBS0000155
<b>170kV 1250A (0 BCT)</b> Condenser Bushing	
SCALE :- 1:1	DRG NO: CBD1701250N
	REV. 0

This document is the exclusive property of YASH HIGHVOLTAGE INSULATORS PVT. LTD and shall not be used, copied or communicated to third parties without its prior authorization. Rights of this document are reserved. Transfer of the document in any form is strictly forbidden to parties other than our customer.

IF IN DOUBT - PLEASE ASK.